

HybridDVR



16 CHANNEL HYBRID DVR



HD Output



DDNS



Network



PTZ



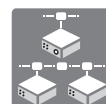
Audio



MIC



Mobile



CMS



USB



Mouse



E-mail

The series of product can connect analog and IP cameras simultaneously, which adopts the standard H.265 high profile compression format and the advanced SOC technique to ensure real time recording in each channel and realize outstanding robustness of the system. This series supports 16 CH video input, 1 CH audio input, simultaneous 16 CH playback. The series of product can meet different security requirements of home, financial, commerce, enterprise, transportation and government, etc.



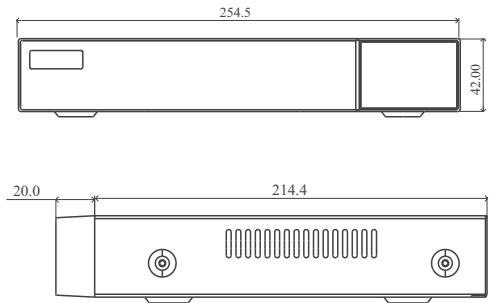
| Model | | BT-2116NS-HL-H |
|---------------------|------------------------|-------------------------------------------------------------------------------------------------------------------------------------------------------------------------------------------------------------------------------|
| System | OS | Embedded Linux |
| Video | Analog Video Input | BNC × 16 |
| | | BNC interface (1.0Vp-p; 75Ω) |
| | | TVI/AHD/CVI: 1080P/720P @30fps; Supports CVBS |
| | IP Video Input | 2CH (up to 18CH) |
| | | Up to 5MP@25fps |
| | Total Input | 18CH |
| | Output | HDMI × 1 : 1920 × 1080 / 1280 × 1024 / 1024 × 768 VGA × 1 : 1920 × 1080 / 1280 × 1024 / 1024 × 768 BNC × 1: CVBS(used as the main or spot output) |
| | Compression | H.264/H.265 |
| Multi-screenDisplay | 1/4/6/8/9/13/16/25 | |
| Audio | Input | RCA × 1 |
| | Output | RCA × 1 (linear, 600Ω) |
| | Two-way audio | Take up channel one audio input |
| | Compression | G.711(U/A) |
| Record | Resolution | 1080P Lite/720P/720P Lite/WD1 |
| | Frame Rate | Analog Channel: 1080PLite/720P/WD1:25fps/30fps(PAL/NTSC)(only CH 1 supports) 1080PLite/720P/WD1 12fps/15fps(PAL/NTSC)(other channels support) 720P Lite: 25fps/30fps (PAL/NTSC) IP Channel: 25fps/30fps(PAL/NTSC) |
| | Bit Rate | 32Kbps ~ 4Mbps |
| Playback | Playback | 16CH |
| | Search | Time slice / time / event / tag search |
| | Smart Search | Highlight colors to display the camera record in a certain period of time, different colors refer to different record events |
| | Function | Play, pause, FF, FB, digital zoom, etc. |
| Alarm | Mode | Manual, motion, exception, smart event |
| | Input | No |
| | Output | No |
| Network | Interface | RJ 45 100Mbps × 1 |
| | Protocol | TCP/IP, HTTP, HTTPS, 802.1x, DHCP, DDNS, FTP, RTP, RTSP, RTCP, NTP, UPnP, SMTP, IPv6, IPv4, UDP, WebSocket, PPPoE, SNMP, IGMP |
| | Incoming Bandwidth | 16Mbps(max. 80Mbps) |
| | Outgoing Bandwidth | 80Mbps |
| | Client Connection | Max.10 users access |
| MobileDevice | OS | iOS, Andriod |
| Storage | HDD | SATA × 1, up to 8TB |
| Backup | Local Backup | U disk, USB mobile HDD |
| | Network Backup | Yes |
| Port | RS 485 | No |
| | USB | USB 2.0 × 2 |
| | Remote Controller | Optional |
| Others | Power Supply | DC12V /2A |
| | Consumption | ≤ 10W (without HDD) |
| | Dimensions(mm) | 255 × 234 × 42 (W × D × H) |
| | Working Environment | -10~50°C, 10%~90% (humidity) |
| | Certificate | CE, FCC |
| | Environment Protection | Directive EU RoHS, WEEE, REACH |



FEATURES

- Supports up to TVI/CVI/AHD 1080P/720P analog video input
- Supports 2CH 5MP / 4MP / 3MP / 1080P / 960P / 720P IP video input by default
- 16CH analog video input can be switched to 16CH IP video input
- H.265/H.264 coding
- Intuitive and user-friendly Graphics User Interface (GUI), window style operation by mouse
- Multi-mode recording: manual / timed / motion / AI recording
- Playback : 16 CH simultaneously playback
- Search: time slice, time, event, tag search
- Express and flexible backup via USB, network and so on
- Pentaplex: preview, record, playback, backup and remote access
- DHCP, DDNS, PPPoE network protocol
- Remote control via Web or CMS : preview, playback, backup, PTZ and configuration
- Support remote network transmission and remote surveillance with mobile device
- Authorization management, log review and device status review
- Support 1080P output, true high resolution display
- Support PTZ preset and auto cruise, up to 255 presets and 8 cruises
- Support NAT function and QRCode scanning by mobile phones
- Powerful mobile surveillance by smart phones with iOS and Andriod OS

DIMENSIONS



Rear Panel

TD-2116NS-HL-H

